

HC-D 7-TFL-49/M1PG11S/PA

Order No.: 1772256

The illustration shows the version, PA sleeve housing with straight cable exit

<http://eshop.phoenixcontact.de/phoenix/treeViewClick.do?UID=1772256>Sleeve housing, for single locking latch, height h 49 mm, with screw
connection, 1x Pg11, lateral cable entry, material PA**Commercial data**

EAN	4017918036928
Pack	10 Pcs.
Customs tariff	85472000
Weight/Piece	0.02666 KG
Catalog page information	Page 422 (PC-2007)

Product notesWEEE/RoHS-compliant since:
02/27/2006

[http://
www.download.phoenixcontact.com](http://www.download.phoenixcontact.com)
Please note that the data given
here has been taken from the
online catalog. For comprehensive
information and data, please refer
to the user documentation. The
General Terms and Conditions of
Use apply to Internet downloads.

Technical data**General data**

Note	For contact inserts HC-D7, D8, A3, A4
------	---------------------------------------

Design	D7
Height	48 mm
Width	28 mm
Length	26.5 mm
Housing type	Sleeve housings
Locking type	for single locking latch
Type of the screw connection	1x Pg11
Pg screw connection	With
Wrench size, union nut	18 mm
Cable exit	Lateral
External cable diameter	7.5 mm ... 12.5 mm
Degree of protection	IP54 / IP65 with sealing screw
Ambient temperature (operation)	-40 °C ... 125 °C
Housing material	PA
Housing surface material	PA, light gray
Screw connection material	PA
Cable seal material	NBR

Certificates / Approvals

Approval logo



requested approbations

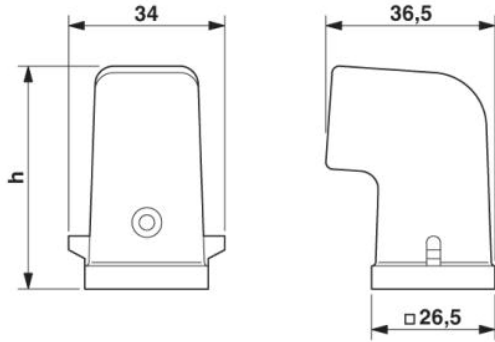
Certification	GOST
---------------	------

Accessories

Item	Designation	Description
Assembly		
1686229	HC-D 7-DS-IP65	Sealing screw, for IP65 protection

Drawings

Dimensioned drawing



Address

PHOENIX CONTACT GmbH & Co. KG
Flachsmarktstr. 8
32825 Blomberg, Germany
Phone +49 5235 3 00
Fax +49 5235 3 41200
<http://www.phoenixcontact.com>



© 2008 Phoenix Contact
Technical modifications reserved;